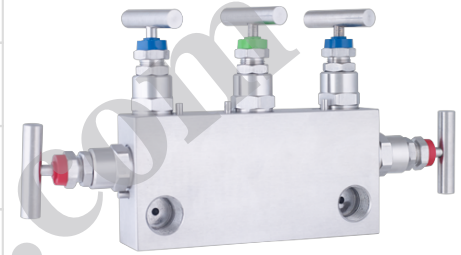


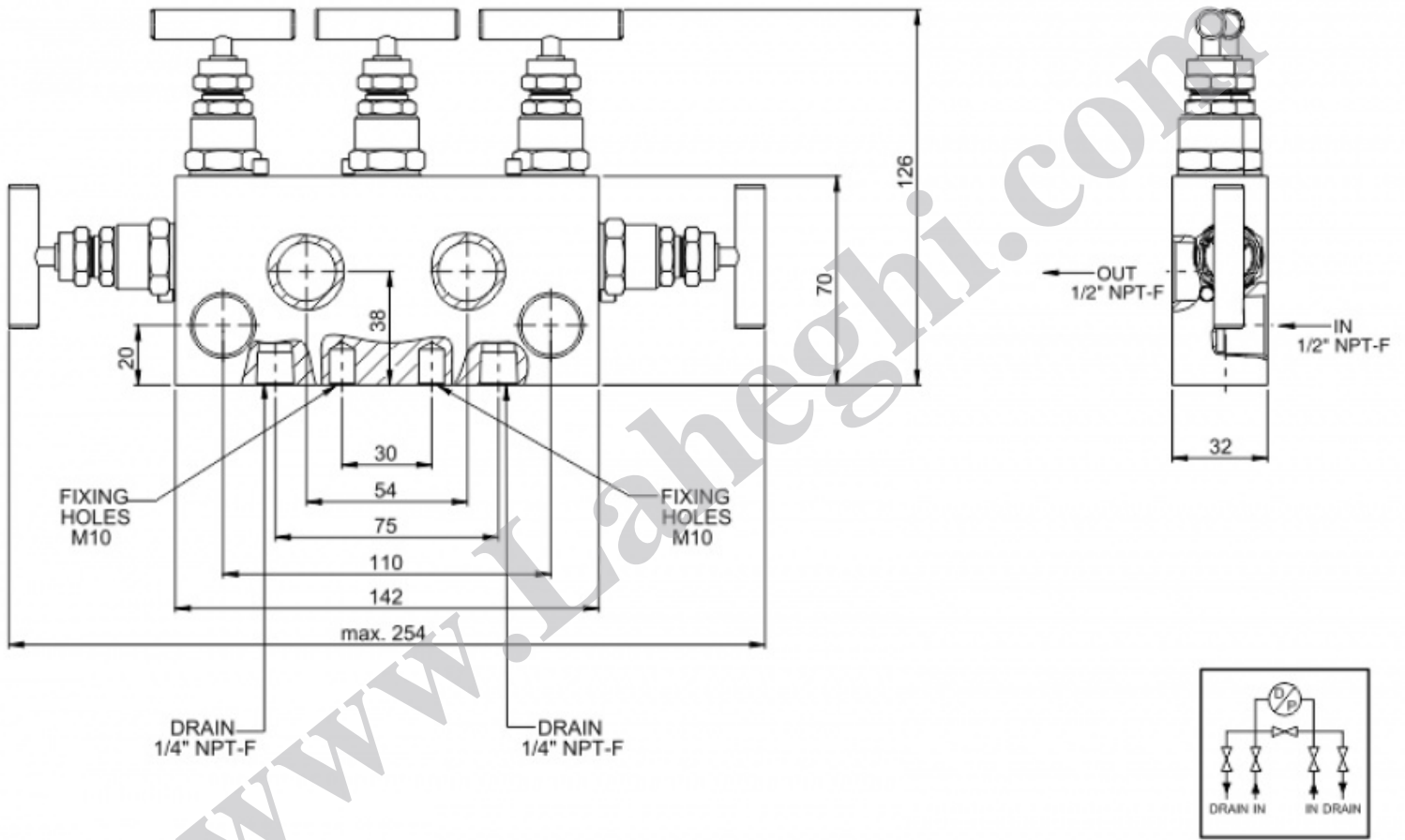
CONSTRUCTIVE PROPERTIES

	STANDARD	OPTIONAL
Mounting Type	Vertical	-
Case	Stainless Steel AISI-316L	Monel 400 Hastelloy C276 Stainless Steel 316 Ti
Open-Close Wheel	Stainless Steel AISI-316L	Monel 400 Hastelloy C276 Stainless Steel 316 Ti
Orifice Diameter	4 mm.	-
Inlet Connections	1/2" NPT	1/4" NPT 1/2" BSPP 1/4" BSPP 1/2" BSPT 1/4" BSPT
Outlet Connections	1/2" NPT	1/4" NPT 1/2" BSPP 1/4" BSPP 1/2" BSPT 1/4" BSPT
Drain Plug	1/4" NPT	-
Bağlantı Deliği	M10	-
Packing	PTFE	Graphoil



USAGE PROPERTIES

Fluid Temperature	-73 °C...+210 °C	-54 °C...+510 °C
Operating Pressure (max.)	6000 psi/413 bar	10000 psi/698 bar
Leakage Test	Helium Sniffer Leakage Test	
Conformity	NACE MR 1075 O2	



Model No: MP5W512BSN2N2PS

Vertical